

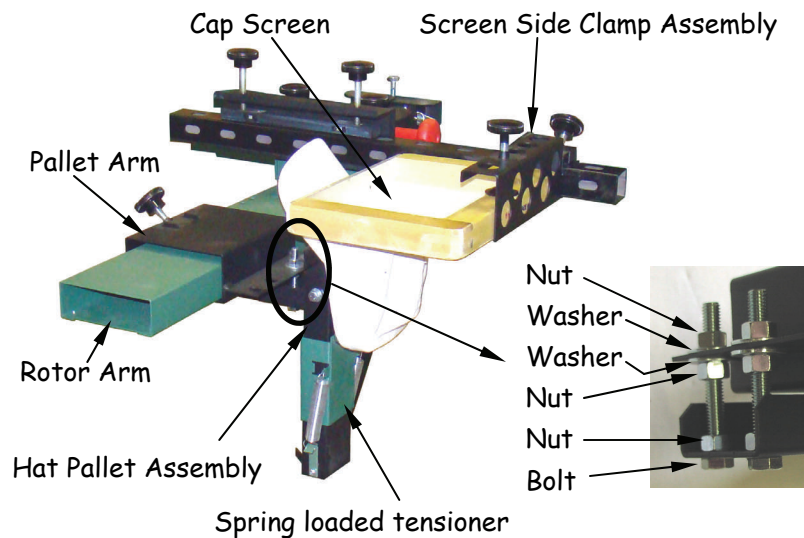
# VASTEX

## SCREEN PRINTING EQUIPMENT

### Cap Printing Attachment V-1000 & V-2000 Printers Installation and Operating Instructions

#### Installation:

1. Remove existing pallet assembly from the rotor arm.
2. V-1000, attach the hat pallet assembly to the pallet arm with the four 3/8 pallet leveling bolts, washers, and nuts as shown (locking knob facing up and to the left). Slide assembly onto the rotor arm. V-2000, install the hat pallet assembly directly to the top of the rotor arm.
3. Insert the screen side clamp assembly and screen into the screen holder.
4. Setting Off Contact  
V-1000, raise or lower the hat pallet assembly by adjusting the nuts on 3/8 leveling bolts or through the screen clamp assembly.  
V-2000, Loosen slightly the main head bolts and adjust with the left and right pitch knobs. Retighten main head bolts after adjusting.

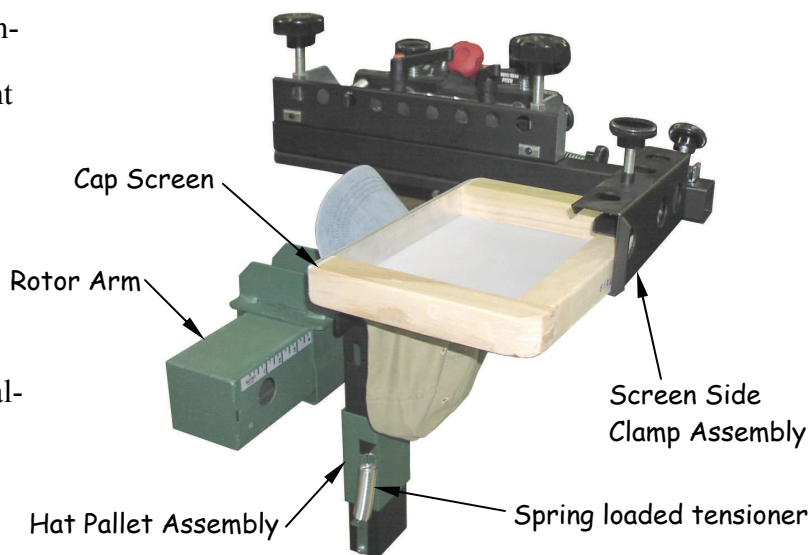


Cap Printing Attachment on V-1000

#### Operating:

1. Hook the back of the hat over the spring loaded tensioner and pull the hat up over the pallet. If additional spring pressure is needed move spring mount brackets to the lower set of holes in the vertical support.
2. Lower the side clamp assembly with cap screen over the hat. Slide side clamp assembly and screen to position artwork over cap.
3. Set desired off contact and test print.

Note: Do not over tighten the bolt in the plastic hat pallet. Additional hat pallet shapes are shown on page 2



Cap Printing Attachment on V-2000

#### Vastex E-mail assistance

Purchasing & Product Info:

[sales@vastex.com](mailto:sales@vastex.com)

Electrical Support:

[stech@vastex.com](mailto:stech@vastex.com)

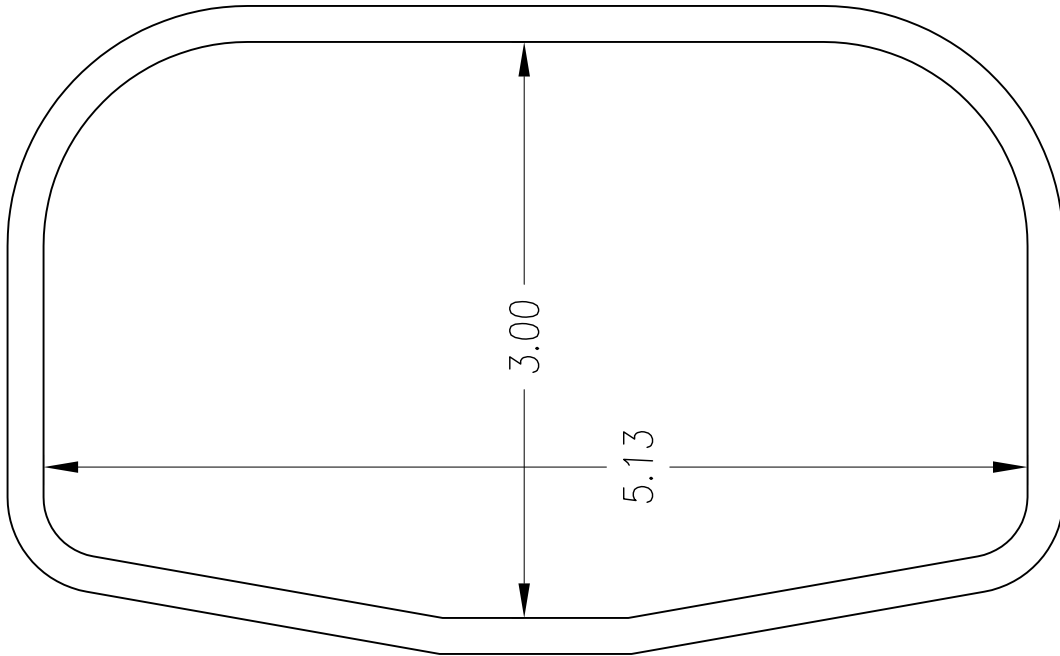
Tech Support, Mechanical Setup, and Operation

[techsupport@vastex.com](mailto:techsupport@vastex.com)

Screen Printing Issues & Support:

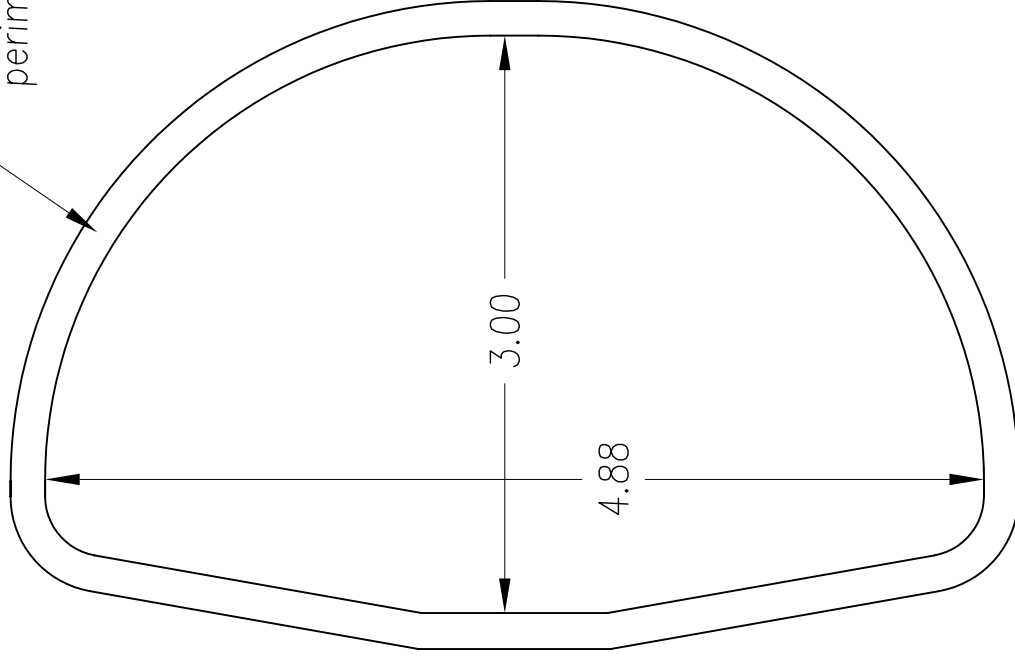
[printech@vastex.com](mailto:printech@vastex.com)

3/16" Radius around  
perimeter of all pallets



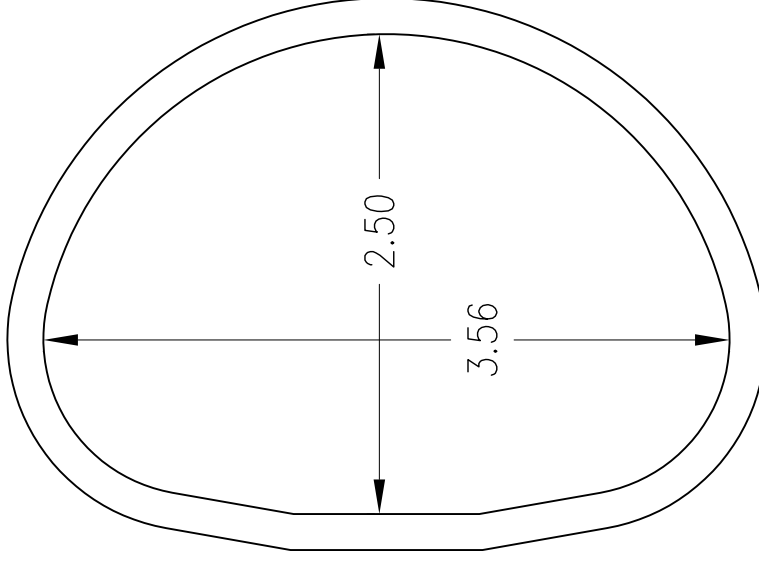
Style 1

# VP-H1 (05-06-006)



Style 2

# VP-H2 (05-06-007)



Style 3

# VP-H3 (05-06-014)

## Hat Pallets shown full size

(dimensioned areas are flat surfaces)

Doc. # 01-08-023