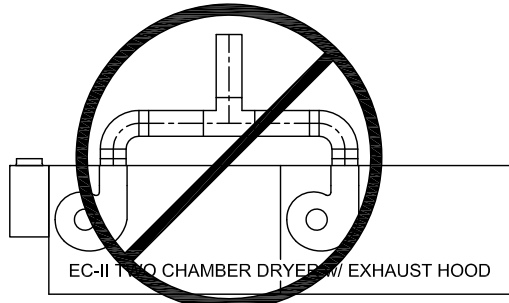


## IMPORTANT READ BEFORE OPERATING DRYER

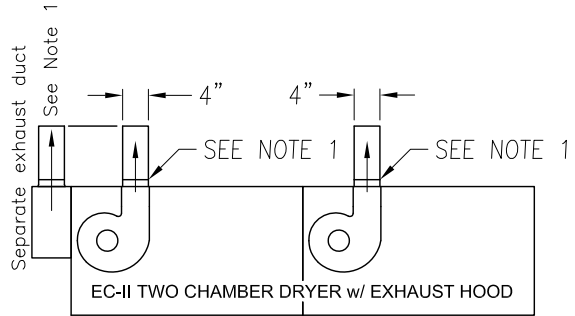
Restricting the dryers exhaust will effect the operation of the dryer. Excessive heat buildup within the chamber may damage the exhaust blower. Proper venting is important.

### EC-II SERIES SINGLE & DOUBLE CHAMBER DRYERS

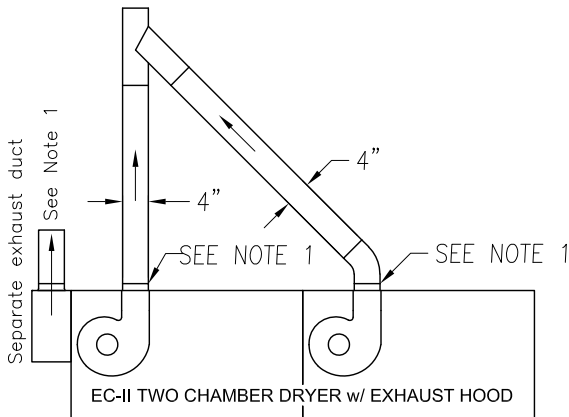
The Exhaust Hood is an option for all Vastex Dryers



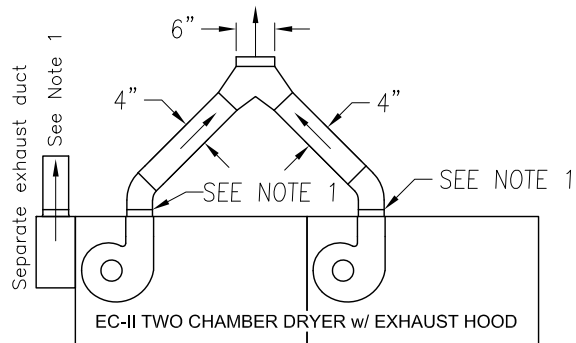
Exhaust blower damage will result  
**WRONG**



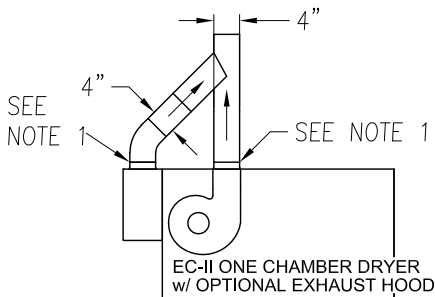
SEPERATE EXHAUST DUCTS  
**ACCEPTABLE**



45° TEE WYE DUCTING  
**ACCEPTABLE**

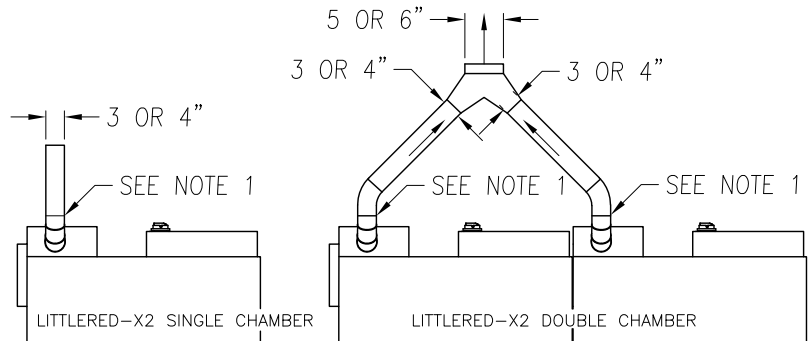


WYE JOINT DUCTING  
**ACCEPTABLE**



45° TEE WYE DUCTING  
**ACCEPTABLE**

### LITTLERED X-SERIES



**ACCEPTABLE**

**ACCEPTABLE**

Note:  
1.) CFM reduction from this point to end of ducting should not exceed 10%. Add auxiliary blower when necessary.

2.) Requires exhaust blower when venting dryer outside.

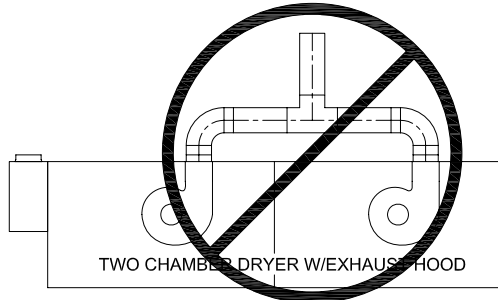
# Vastex Dryer & Exhaust Hood Ducting

## IMPORTANT READ BEFORE OPERATING DRYER

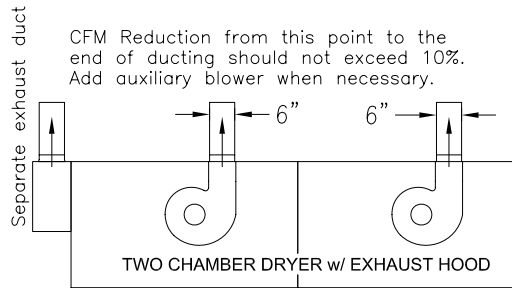
Restricting the dryers exhaust will effect the operation of the dryer. Excessive heat buildup within the chamber may damage the exhaust blower. Proper venting is important.

### **BIGRED V SERIES SINGLE & DOUBLE CHAMBER DRYERS**

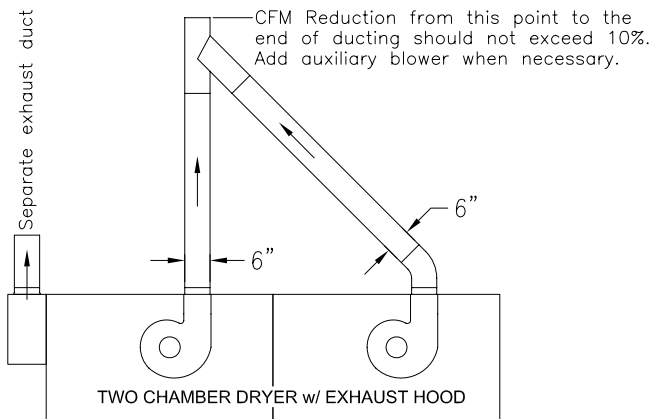
*The Exhaust Hood is an option for all Vastex Dryers*



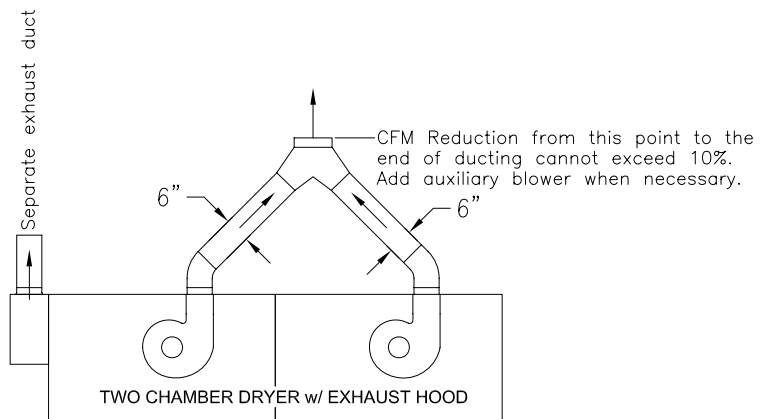
Exhaust blower damage will result  
**WRONG**



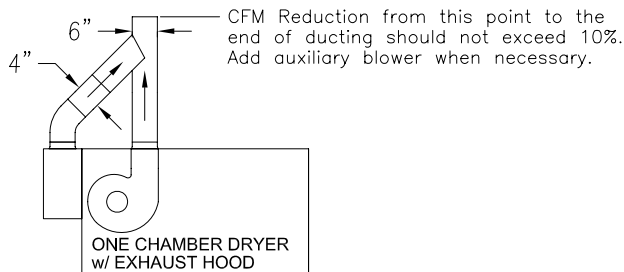
**SEPERATE EXHAUST DUCTS**  
**ACCEPTABLE**



**45° TEE WYE DUCTING**  
Exhaust stack blower is required  
**ACCEPTABLE**



**WYE JOINT DUCTING**  
Exhaust stack blower is required  
**ACCEPTABLE**



**45° TEE WYE DUCTING**  
**ACCEPTABLE**