



Exhaust Hood Installation

Tools required:

- 1/4" nut driver **OR**
- Flat blade screw driver



Exhaust Deflector

1) Remove the **Exhaust Deflector** from the rear of the dryer (EC-II and EC-54 only). On EC-II models, remove the (4) black screws using a 1/4" nut driver or flat screw driver. On EC-54 models, remove (8) screws. Re-install screws into rear panel of dryer after removing the **Exhaust Deflector**.

NOTE: If your dryer does not have the required holes to mount the **Hood Bracket**, please see the following page (01-15-006) for drilling locations.



Hood Bracket

2) Locate the three holes, circled in picture above, and install the **Hood Bracket** using a 1/4" nut driver or flat blade screw driver to tighten the three included black screws.

For **EC-54** owners, two **Hood Brackets**, using six holes and screws, are required for installation.

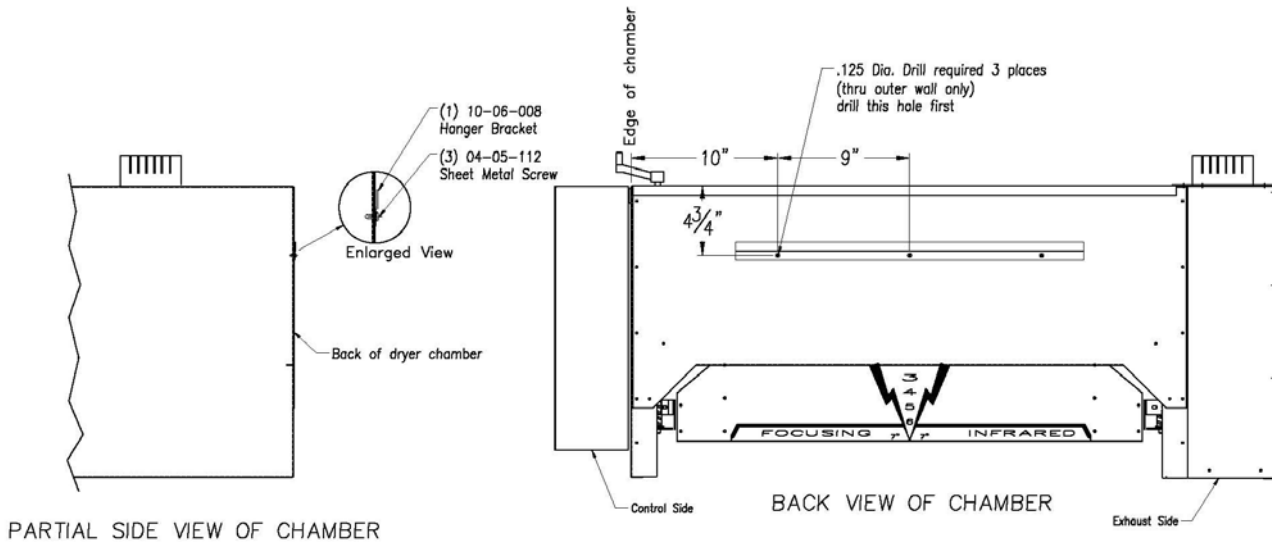


Exhaust Hood

3) Install the **Exhaust Hood** onto the **Hood Bracket** by carefully sliding the hood onto the bracket.

Please read the included "Dryer and Exhaust Hood Ducting" before using the **Exhaust Hood**.

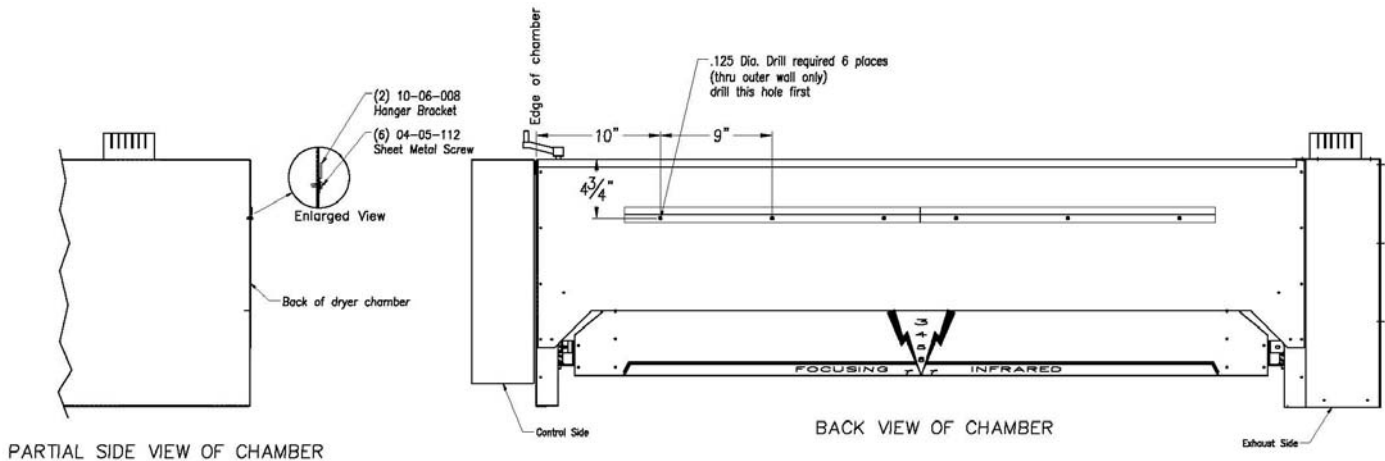
EC-II-30, EC-I, & DB-30



Installation EC-EX54

- 1.) Locate and drill the left hanger bracket mounting hole. Use the dimensions shown and a 1/8" drill for all holes.
- 2.) Attach hanger bracket to this hole using sheet metal screw provided. Check enlarged view for proper orientation of hanger. Do not fully tighten screw.
- 3.) Using a level to position hanger transfer and drill remaining hole to chamber wall.
- 4.) Install remaining 2 screws for hanger bracket to chamber.
- 5.) Slide exhaust assembly over hangers.

EC-II-54



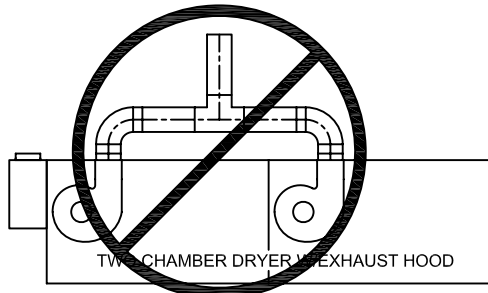
Installation EC-EX54

- 1.) Locate and drill the left hanger bracket mounting hole. Use the dimensions shown and a 1/8" drill for all holes.
- 2.) Attach hanger bracket to this hole using sheet metal screw provided. Check enlarged view for proper orientation of hanger. Do not fully tighten screw.
- 3.) Using a level to position hanger transfer and drill remaining hole to chamber wall.
- 4.) Install remaining 2 screws for left side hanger bracket to chamber.
- 5.) Position and level right side hanger bracket against left side bracket, transfer and drill 3 remaining holes.
- 6.) Attach right side hanger, recheck tightness of all screws.
- 7.) Slide exhaust assembly over hangers.

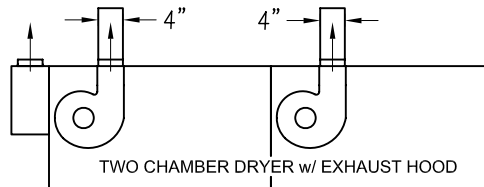
IMPORTANT READ BEFORE OPERATING DRYER

Restricting the dryers exhaust will effect the operation of the dryer. Excessive heat buildup within the chamber may damage the exhaust blower. Proper venting is important.

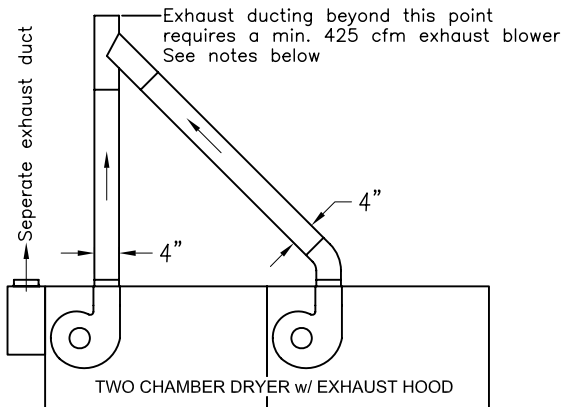
EC-II SERIES SINGLE & DOUBLE CHAMBER DRYERS



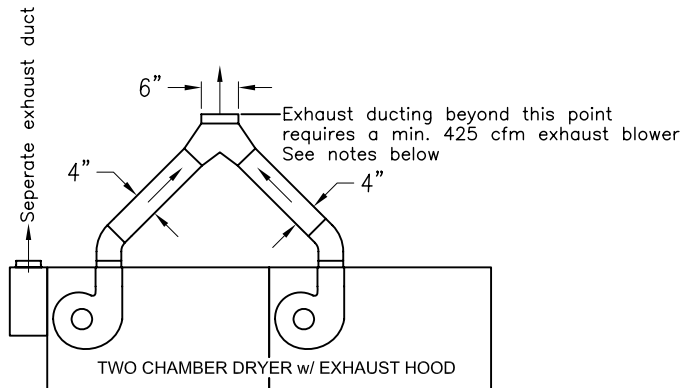
Exhaust blower damage will result
WRONG



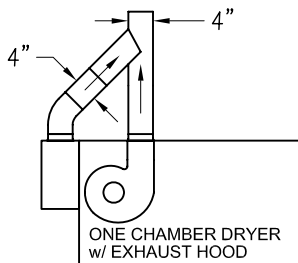
SEPERATE EXHAUST DUCTS
See notes 1 & 2
ACCEPTABLE



45° TEE WYE DUCTING
Exhaust stack blower is required
See notes 1 & 2
ACCEPTABLE

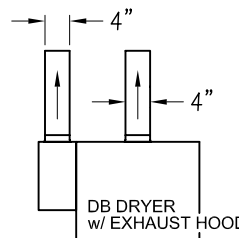


WYE JOINT DUCTING
Exhaust stack blower is required
See notes 1 & 2
PREFERRED

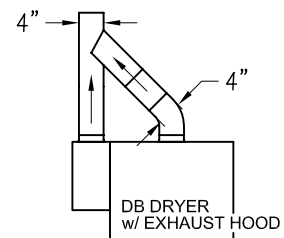


45° TEE WYE DUCTING
See notes 1 & 2
ACCEPTABLE

EC-I & DB SERIES DRYERS



SEPERATE EXHAUST DUCT
See note 1 & 3
ACCEPTABLE



45° TEE WYE DUCTING
See note 1 & 3
PREFERRED

Note:

- 1.) If the exhaust duct length is greater than 6ft. and/or if more than one elbow is used, an exhaust booster is required.
- 2.) EC-II Dyers with exhaust duct lengths greater than 20ft. consult a HVAC installer to determine proper size duct to maintain min. of 425 cfm.
- 3.) DB Dryers with exhaust duct lengths greater than 20ft. consult a HVAC installer to determine proper size duct to maintain min. of 250 cfm.