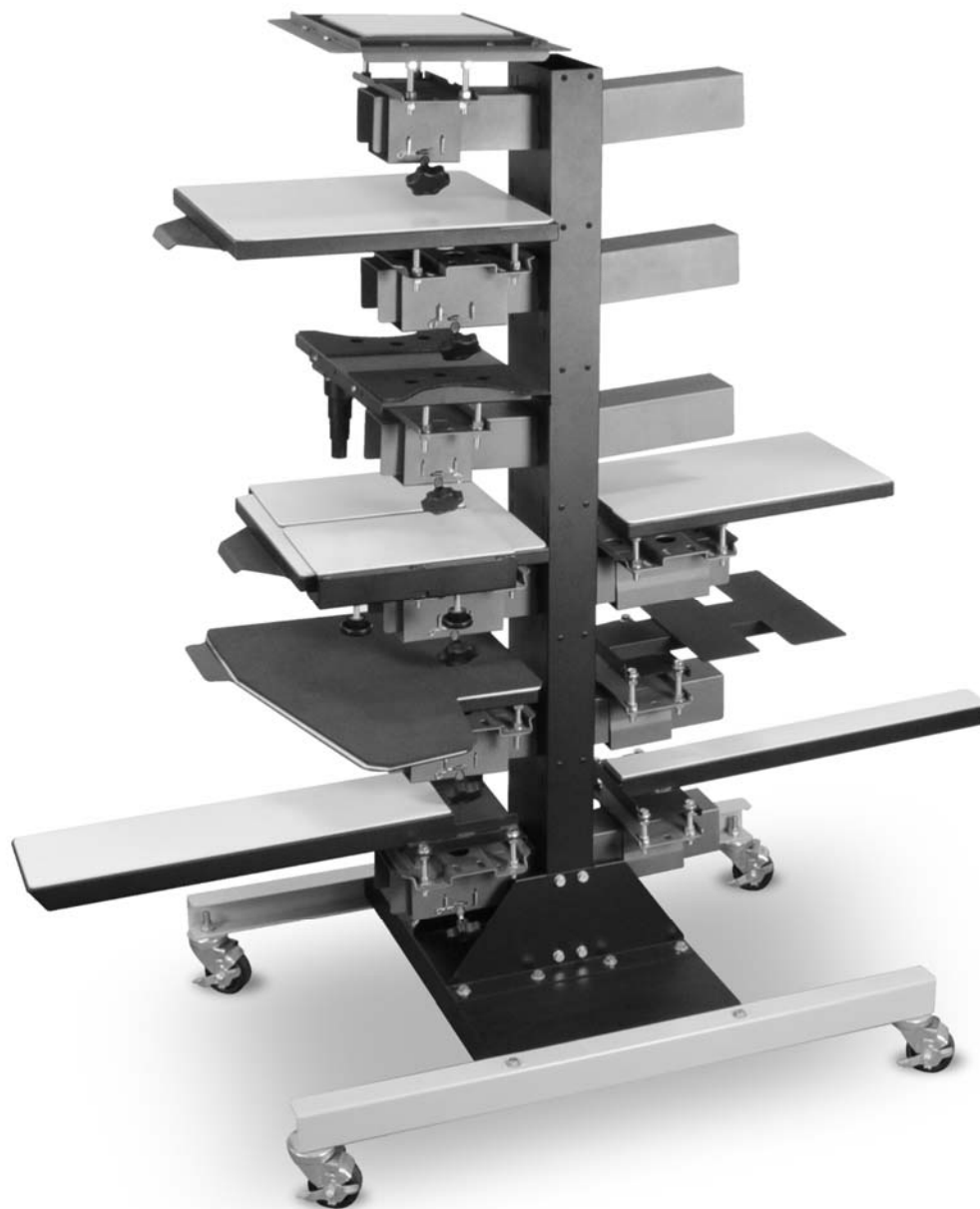


Year of Manufacture: 20\_\_\_\_\_

Original Instructions

# Vastex VP-Cruiser

## Assembly Instructions



**Vastex International, Inc.**  
1032 N. Irving St.  
Allentown, Pa. 18109 USA  
Phone# 610 434-6004 Fax# 610 434-6607  
Web Site [www.vastex.com](http://www.vastex.com)

Authorized Representative in Europe:  
Certification Experts BV  
Nieuwstad 100 1381 CE Weesp,  
The Netherlands  
Tel : + 31 (0) 294 – 48 33 55  
Fax : + 31 (0) 294 – 41 46 87

### **Vastex E-mail assistance**

Purchasing & Product Info:  
[sales@vastex.com](mailto:sales@vastex.com)

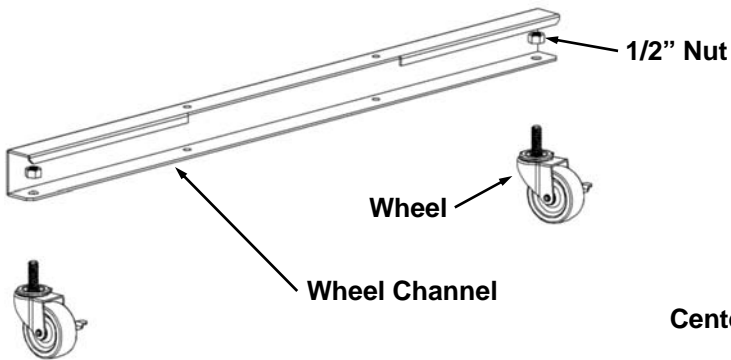
Electrical Support:  
[stech@vastex.com](mailto:stech@vastex.com)

Tech Support, Mechanical Setup, and Operation:  
[techsupport@vastex.com](mailto:techsupport@vastex.com)

Screen Printing Issues & Support:  
[printech@vastex.com](mailto:printech@vastex.com)

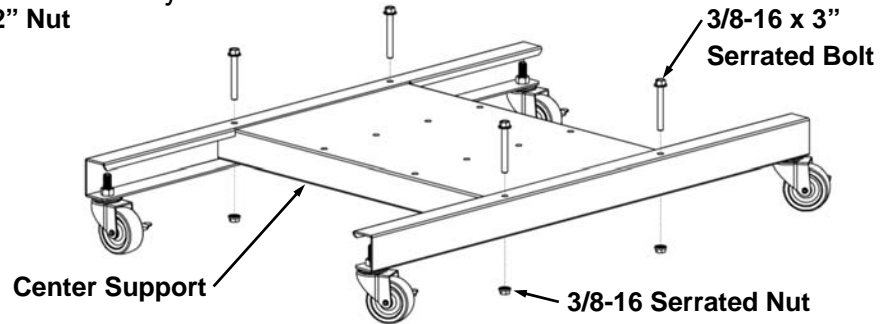
- 1)** Install (2) wheels onto each Wheel Channel using 1/2" Nuts.

*Tighten with (2) 3/4" open end wrenches or adjustable wrenches.*



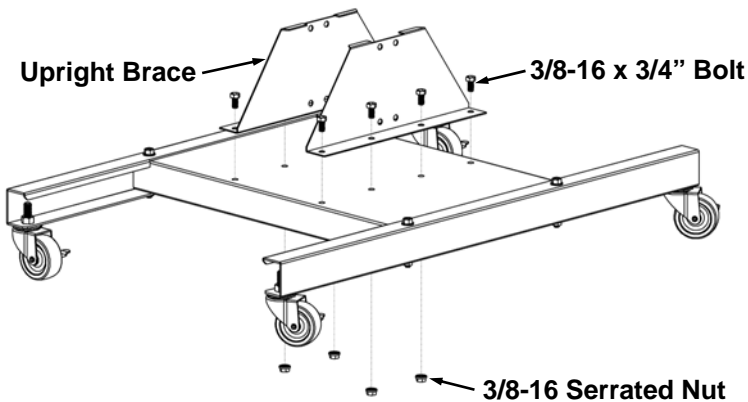
- 2)** Install Wheel Channels onto Center Support using (4) 3/8-16 x 3" Serrated bolts and (4) 3/8-16 Serrated Nuts.

*Tighten with (2) 9/16" open end wrenches or adjustable wrenches.*



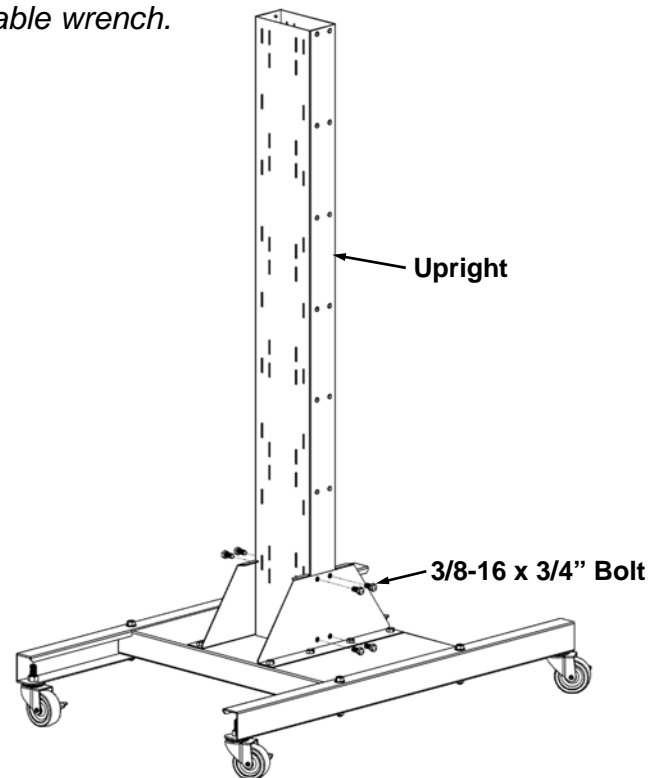
- 3)** Install Upright Braces onto Center Support using (8) 3/8-16 x 3/4" bolts and (8) 3/8-16 Serrated nuts.

*Tighten with (2) 9/16" open end wrenches or adjustable wrenches.*



- 4)** Install Upright into Upright Braces using (4) 3/8-16 x 3/4" Bolts

*Tighten with 9/16" open end wrench or adjustable wrench.*



- 5)** Install Pallet Channels onto Upright. Each channel hooks into the upright separately.

*V-2000 Pallet Channel Shown Below*

