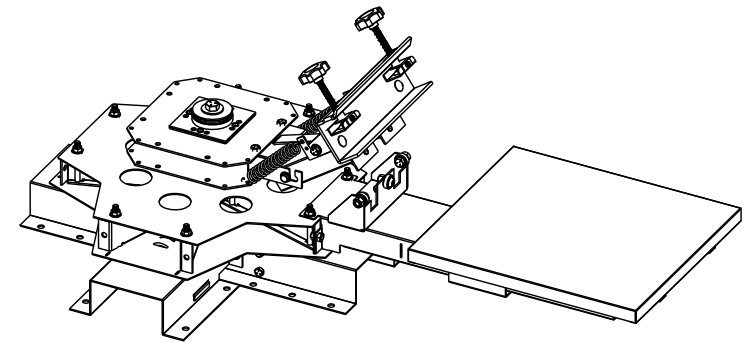
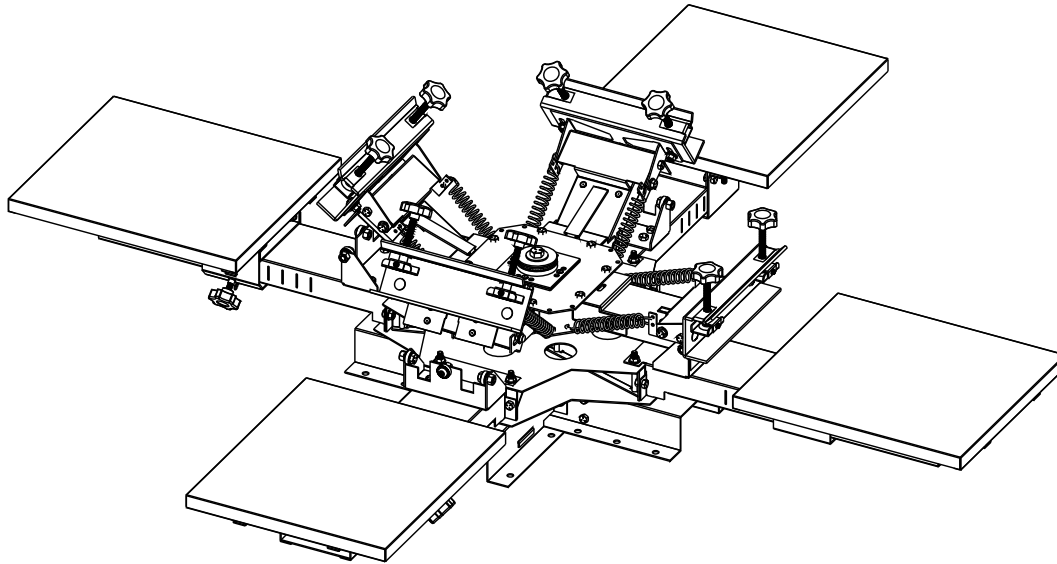


REV	DESCRIPTION	DATE	BY
-	PRODUCTION RELEASE	9/9/15	MJV
A	UPDATED V-100 BASE	5/15/18	EMJ



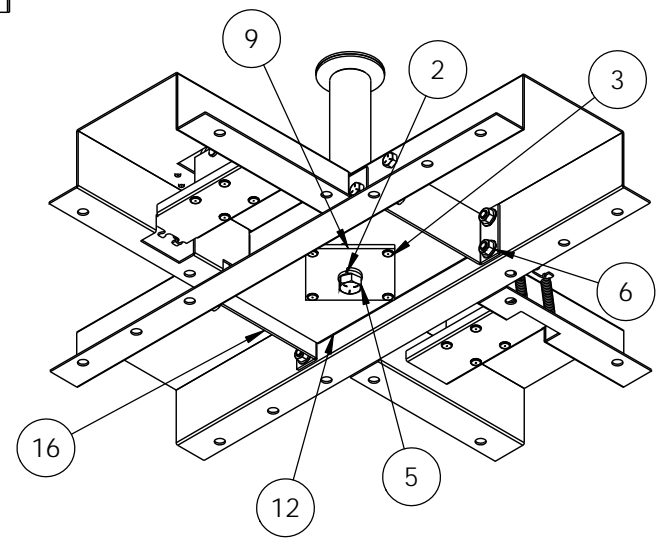
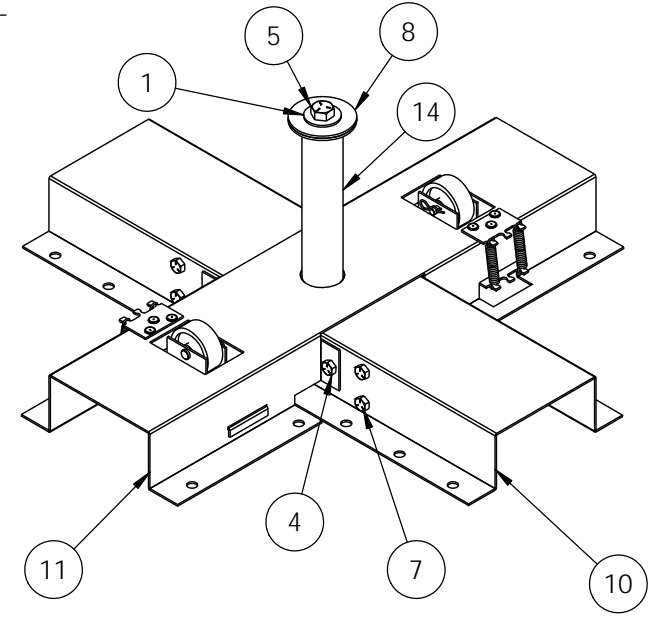
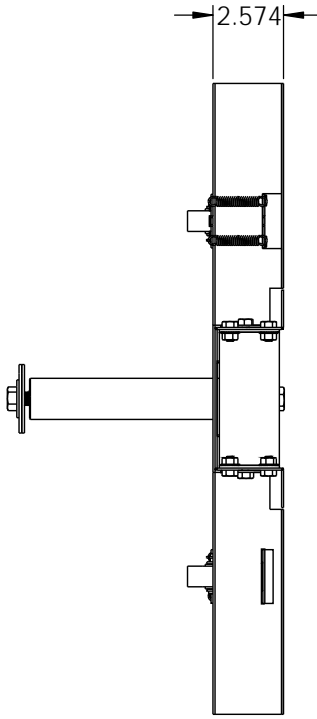
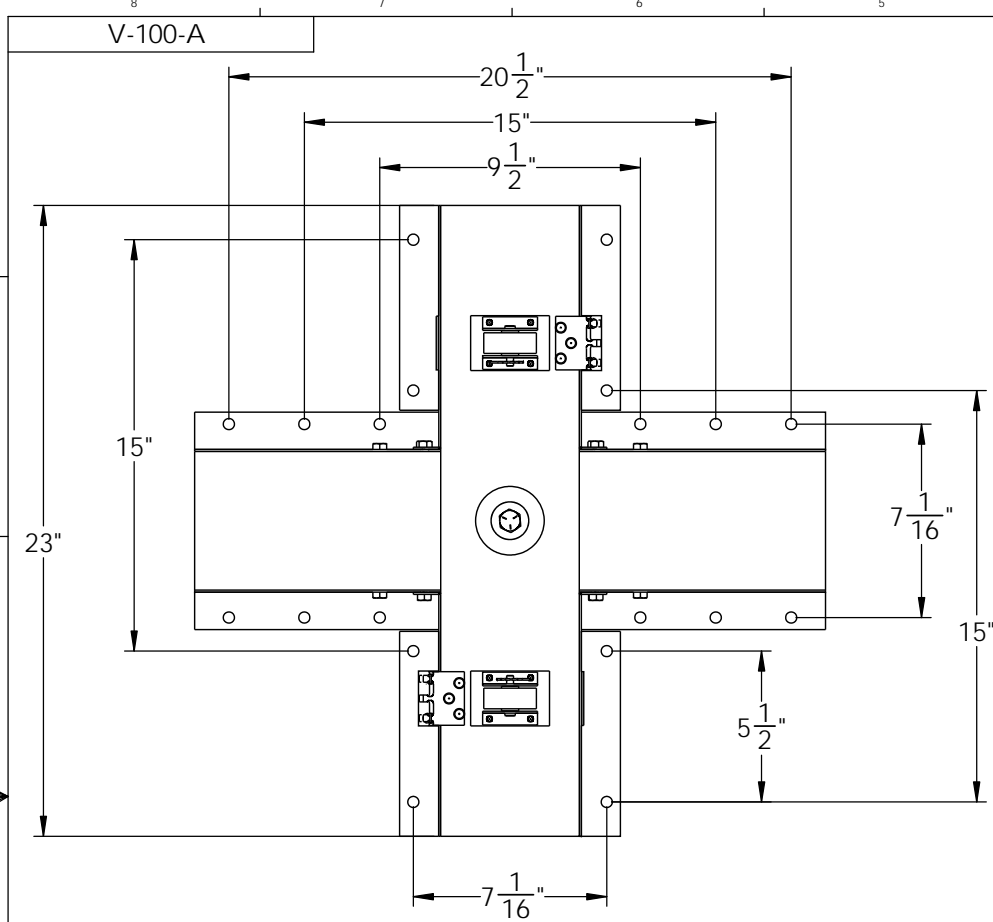
V100-44

ITEM NO.	Part Number	QTY
1	V100-ARM-NP	4
2	V100-BASE	1
3	V100-C4	1
4	V100-HUB4	1
5	V100-PH	4
6	V100P-1416	4
7	20x24 screen	4

V100-11

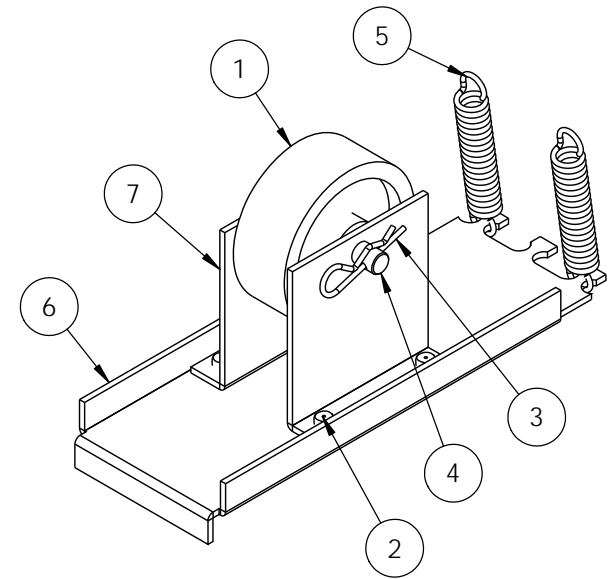
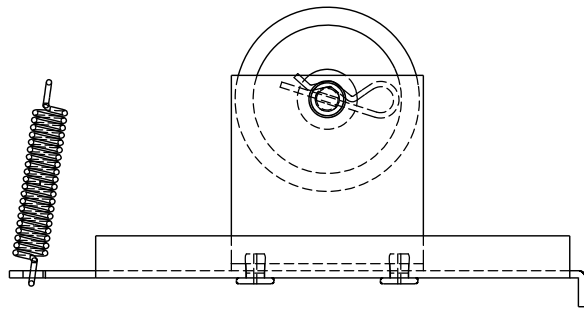
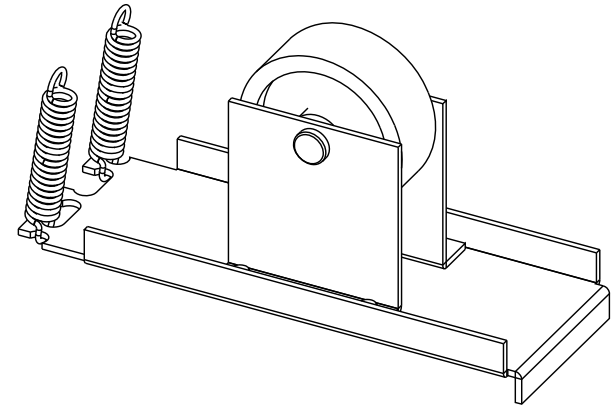
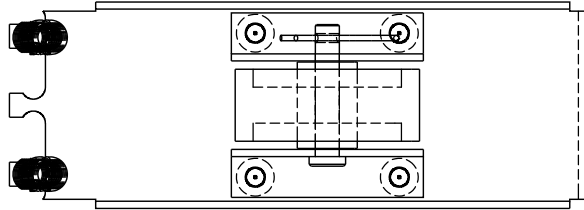
ITEM NO.	Part Number	QTY
1	V100-ARM-NP	1
2	V100-BASE	1
3	V100-C4	1
4	V100-HUB4	1
5	20x24 screen	1
6	V100-PH	1
7	V100P-1416	1

SCREEN PRINTING MACHINERY SINCE 1960 VASTEX.COM			VASTEX INTERNATIONAL		
			TITLE: V100 BOM ENTRY LEVEL PRINTER		
DRAWN	BY	DATE	SIZE	DWG. NO.	REV
CHECKED	MJV	6/14/15	C	V-100-A	A
APPROVED			SCALE: 1:12		SHEET 1 OF 11



ITEM NO.	Part Number	Description	QTY.
1	04-05-022	Washer, 1/2" SAE	1
2	04-05-029	Washer, Splt Lock 1/2" Zinc	1
3	04-05-030	Rivet, 3/16 Zinc	10
4	04-05-100	Bolt, 5/16-18 x 3/4 HCS Zinc	4
5	04-05-239	Bolt, 1/2-20 x 1.0 Hex Zinc	2
6	04-05-284	Nut, 5/16-18 Serrated	12
7	04-05-350	Bolt, 5/16-18 x 1/2 Hex Zinc	8
8	05-04-014-0B	WASHER, 9/16" x 2-1/2" x .100"	2
9	14-01-018-0-1-XX	PLATE, SHAFT MTG.	1
10	14-05-001-0B	BASE WRAP, BOTTOM	1
11	14-05-002-0B	TOP WRAP	1
12	14-05-003-0	SHAFT MOUNT	1
13	14-05-004-0A	HUB SPACER	1
14	14-05-021-0	Center Shaft, V-100	1
15	14-05-029-0	UPPER SPRING CATCH	2
16	14-07-010-0	VERT BRACE	2
17	V100-DETENT	Detent Assembly, V-100	2

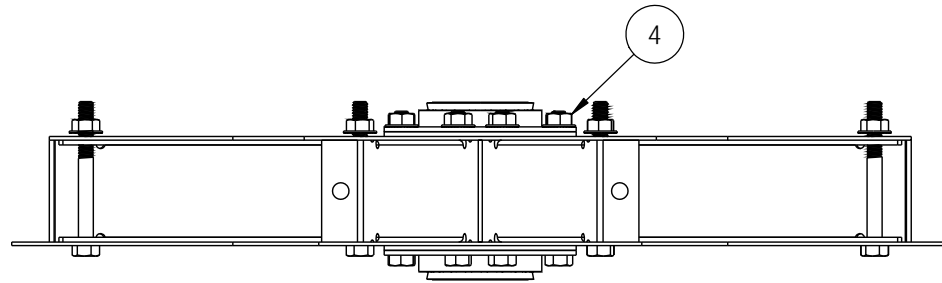
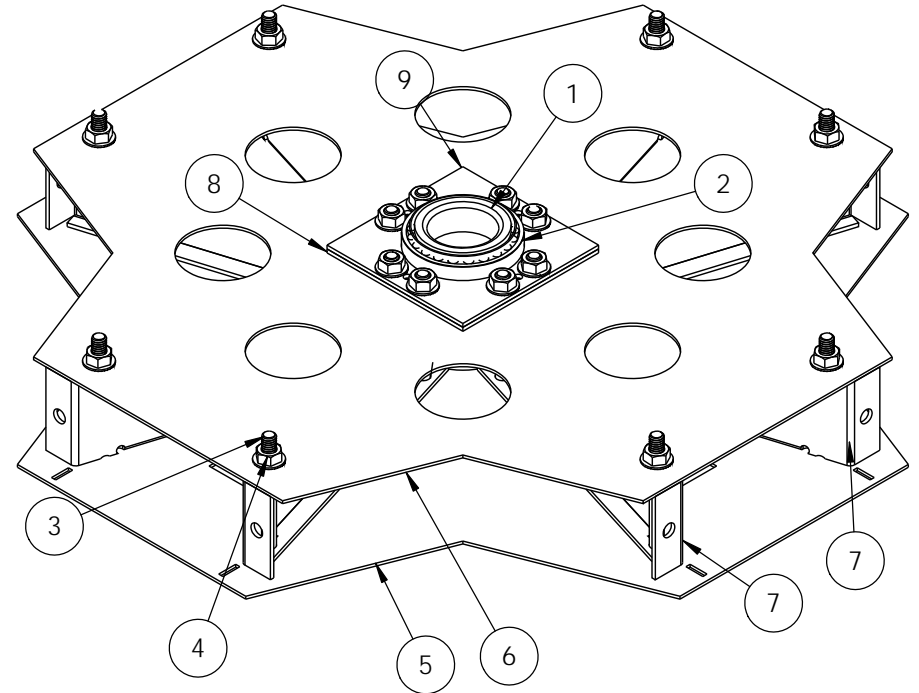
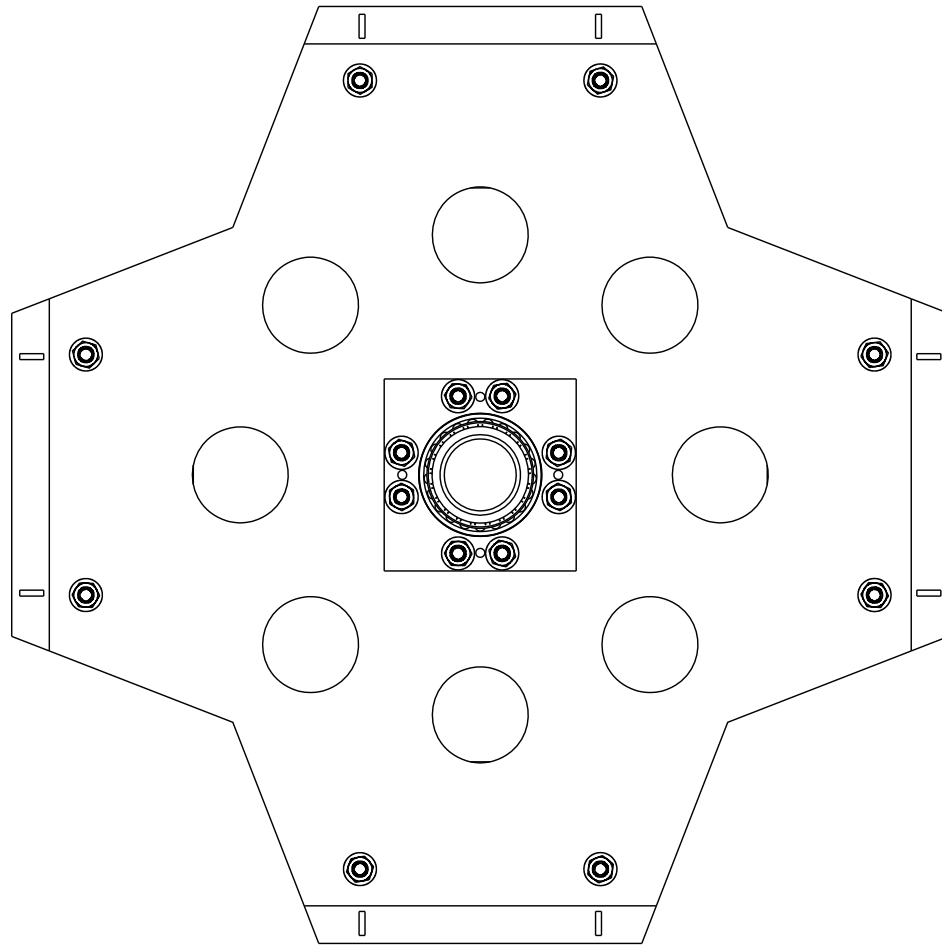
SCREEN PRINTING MACHINERY SINCE 1960		TOLERANCE UNLESS OTHERWISE SPECIFIED		VASTEX INTERNATIONAL	
VASTEX.COM				TITLE: V100-BASE	
		.XXX .XX .X		SIZE C	
		DECIMAL +/- .010 +/- .015 +/- .032		DWG. NO. V-100-A	
DRAWN		FRACTION +/- .062		REV A	
CHECKED		ANGLE +/- 1°		SCALE: 1:4	
APPROVED		125		SHEET 2 OF 11	



ITEM NO.	Part Number	Description	QTY.
1	04-04-071	2" x 3/4" Poly Wheel	1
2	04-05-030	Rivet, 3/16 Zinc	4
3	04-05-152	Hair Pin 1/8 x 19/32	1
4	04-05-358	CLEVIS PIN 1/4 x 1-3/8"	1
5	04-05-359	Extension Spring, V-100 Detent	2
6	14-05-030-0A	DETENT ROCKER	1
7	14-05-031-0A	WHEEL CARRIER	2

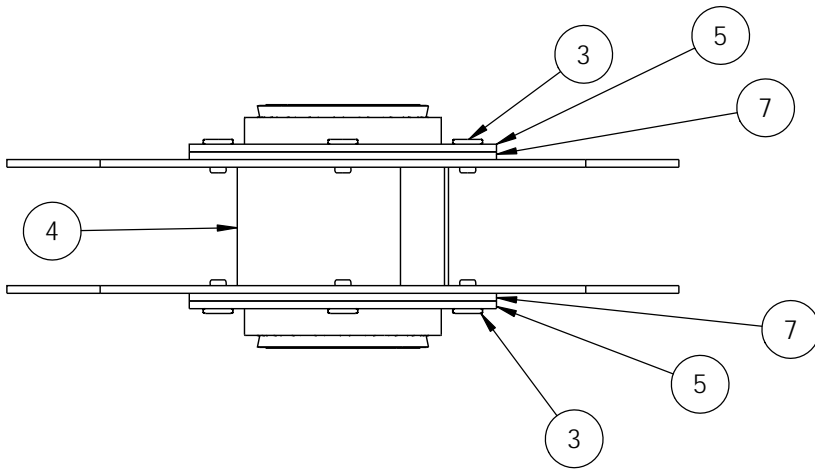
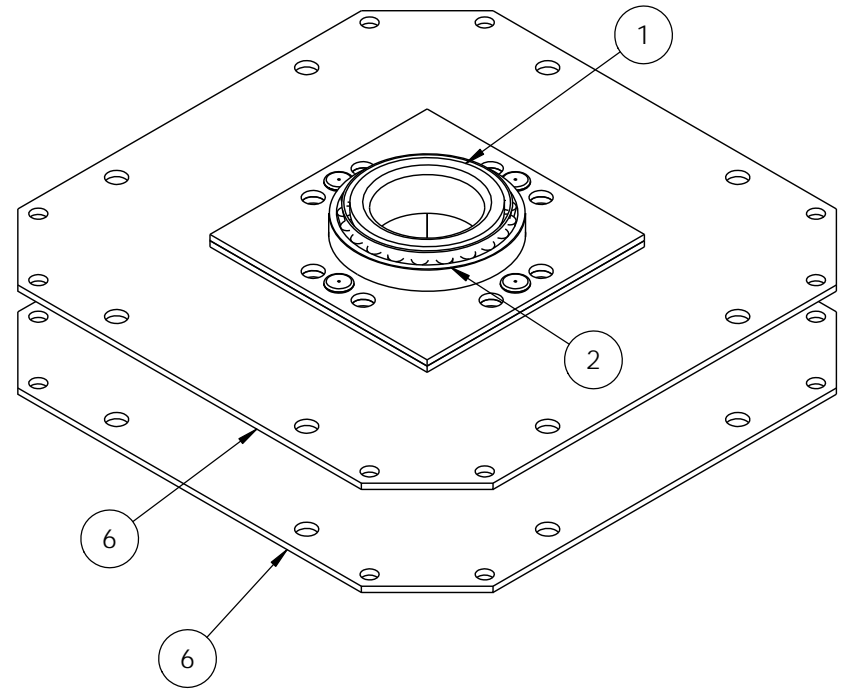
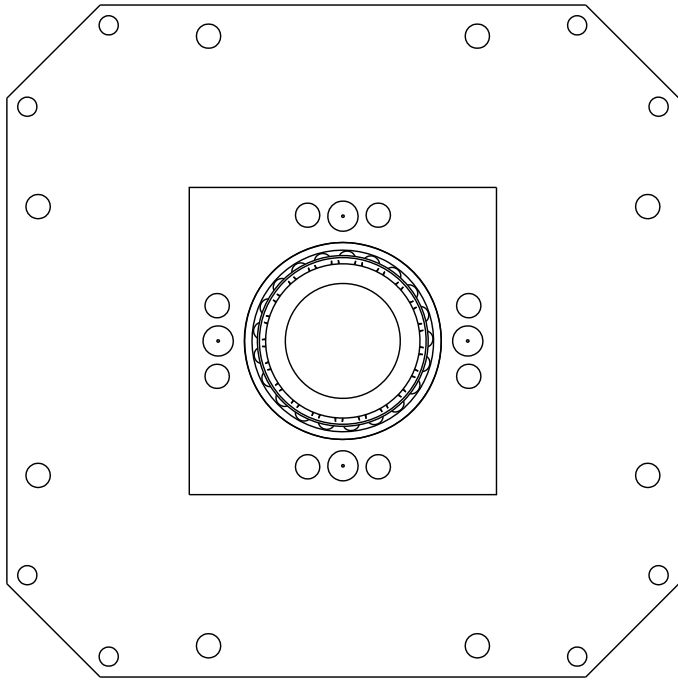
SCREEN PRINTING MACHINERY SINCE 1960		TOLERANCE UNLESS OTHERWISE SPECIFIED		VASTEX INTERNATIONAL	
VASTEX.COM				TITLE: V100-DETENT	
		DECIMAL	.XXX .XX .X	SIZE	DWG. NO.
DRAWN	BY MJV	FRACTION	+/- .010 +/- .015 +/- .032	C	V-100-A
CHECKED	DATE 6/14/15	ANGLE	+/- .062 +/- 1°	SCALE: 1:1	REV A
APPROVED			125	SHEET 3 OF 11	

V-100-A



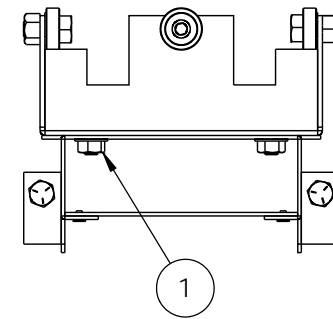
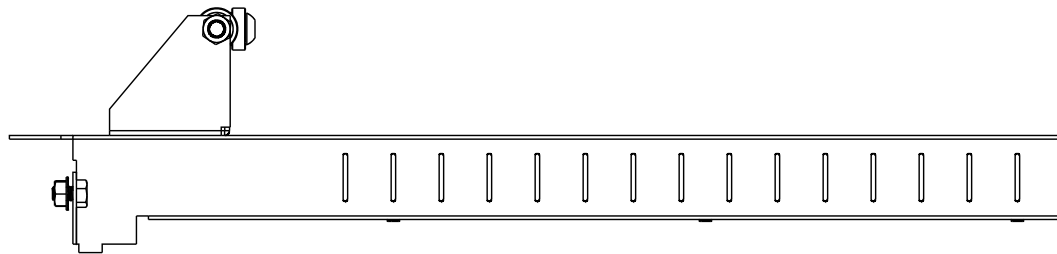
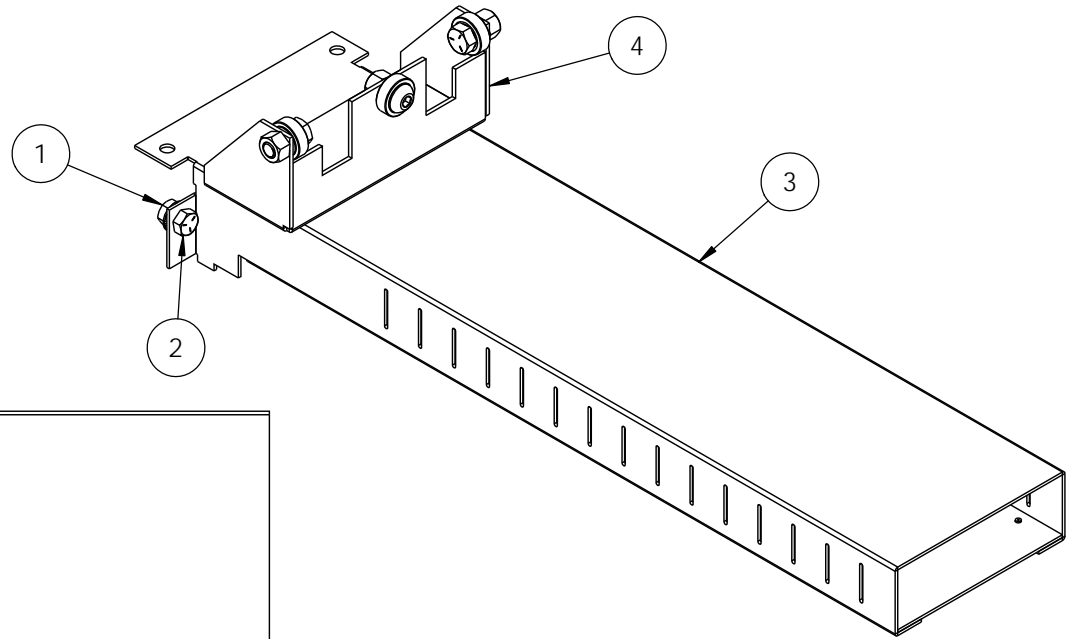
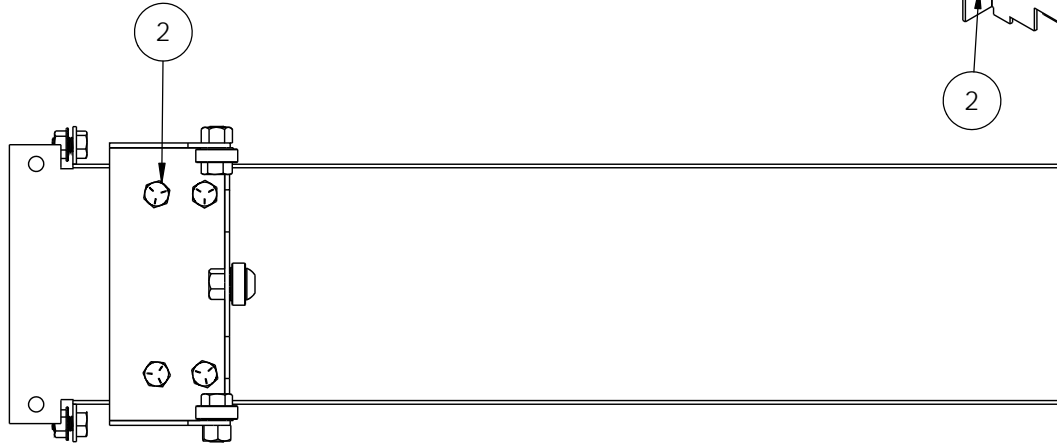
ITEM NO.	Part Number	Description	QTY.
1	04-04-051	Bearing Cone, 1-1/2" LM29749	2
2	04-04-052	Bearing Cup, 1-12" LM29710	2
3	04-05-156	Bolt, 5/16-18 x 3.0 HTB Zinc	16
4	04-05-284	Nut, 5/16-18 Serrated	16
5	14-05-025-0B	BOTTOM PLATE	1
6	14-05-009-0A	TOP PLATE	1
7	14-05-010-0	Rotor Hub Brace	8
8	14-05-024-0	Spacer, Bearing Plate	2
9	14-05-008-0A	BEARING PLATE, UNIVERSAL	2

SCREEN PRINTING MACHINERY SINCE 1960 VASTEX.COM		TOLERANCE UNLESS OTHERWISE SPECIFIED		VASTEX INTERNATIONAL	
		DECIMAL .XXX .XX .X FRACTION +/- .010 +/- .015 +/- .032 ANGLE +/- .1°		TITLE: V100-HUB4	
DRAWN	BY	DATE	SIZE C	DWG. NO. V-100-A	REV A
CHECKED			SCALE: 1:4		SHEET 4 OF 11
APPROVED					



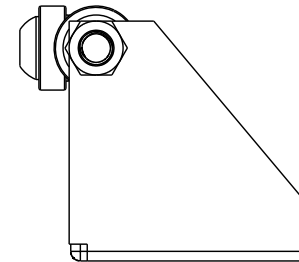
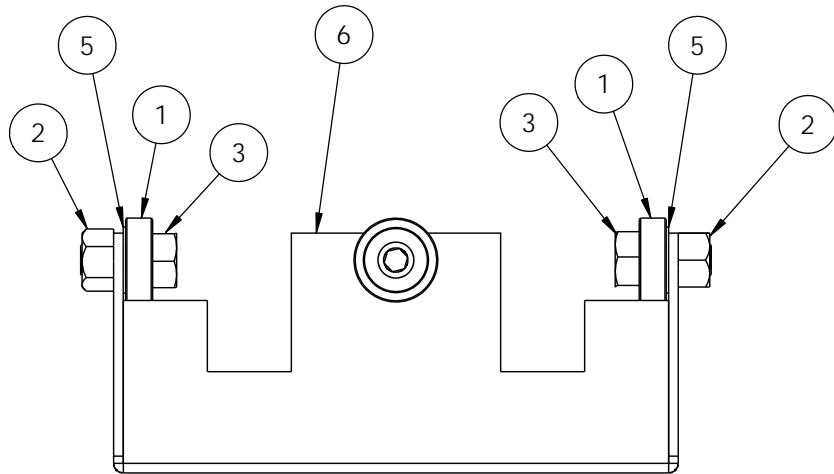
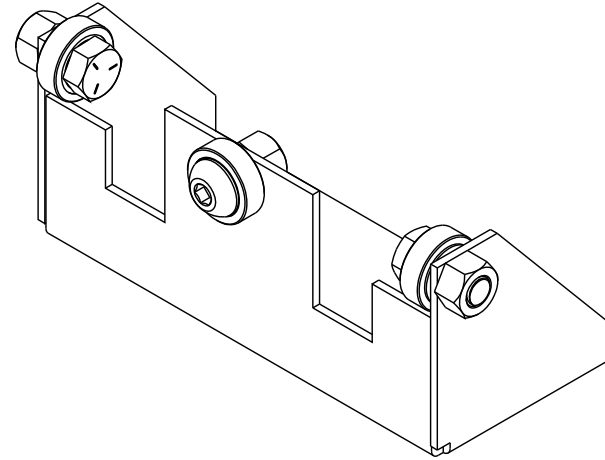
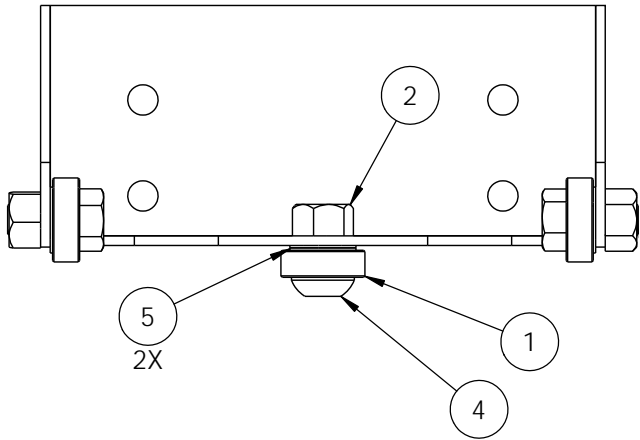
ITEM NO.	Part Number	Description	QTY.
1	04-04-051	Bearing Cone, 1-1/2" LM29749	2
2	04-04-052	Bearing Cup, 1-12" LM29710	2
3	04-05-227	RIVET, 3/16, SB6-6 BLIND	8
4	14-05-004-0A	HUB SPACER	1
5	14-05-008-0A	BEARING PLATE, UNIVERSAL	2
6	14-05-014-0	C-Hub Plate	2
7	14-05-024-0	Spacer, Bearing Plate	2

SCREEN PRINTING MACHINERY SINCE 1960 VASTEX.COM		TOLERANCE UNLESS OTHERWISE SPECIFIED		VASTEX INTERNATIONAL		
				TITLE: V100-C4		
				SIZE C	DWG. NO. V-100-A	REV A
				SCALE: 1:2 SHEET 5 OF 11		



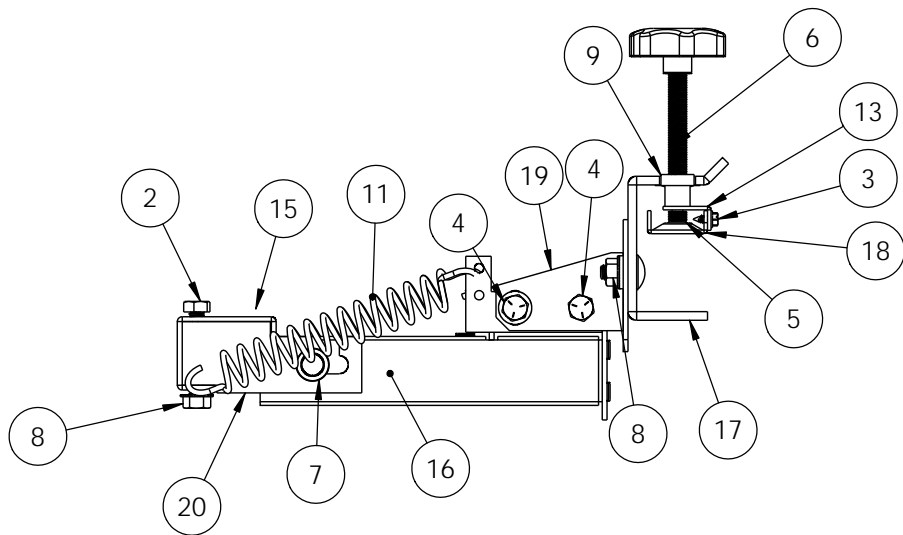
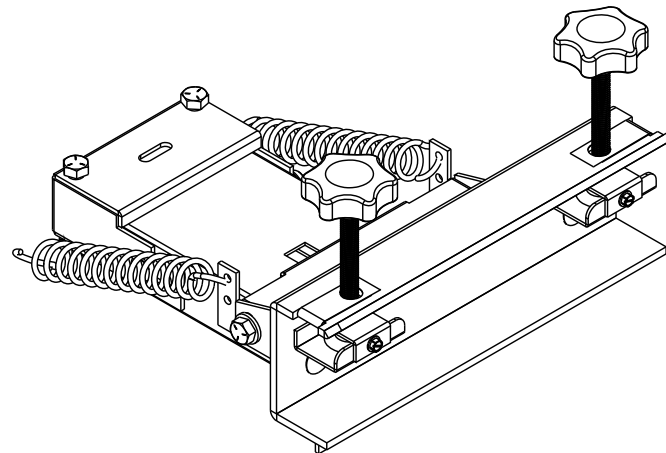
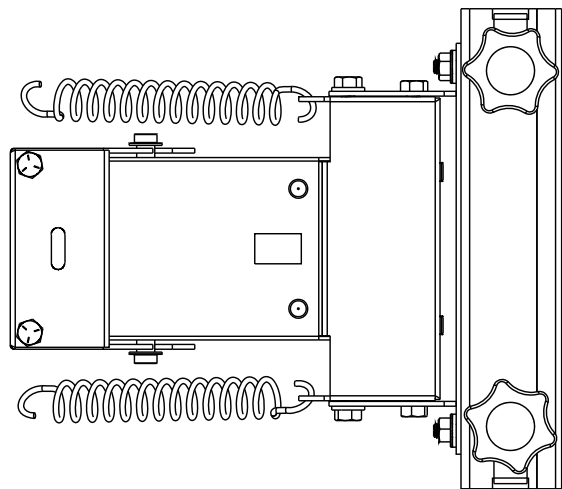
ITEM NO.	Part Number	Description	QTY.
1	04-05-284	Nut, 5/16-18 Serrated	6
2	04-05-350	Bolt, 5/16-18 x 1/2 Hex Zinc	6
3	14-05-011-1	Rotor Arm, V-100	1
4	V100-WLH	Wheel Lock Housing Assembly	1

SCREEN PRINTING MACHINERY SINCE 1960 VASTEX.COM		TOLERANCE UNLESS OTHERWISE SPECIFIED		VASTEX INTERNATIONAL	
				TITLE: V100-ARM-NP	
				SIZE DWG. NO. REV C V-100-A A	
		SCALE: 1:4		SHEET 6 OF 11	



ITEM NO.	Part Number	Description	QTY.
1	04-04-019	Bearing, Ball 3/8 ID	3
2	04-05-009	Nut, 3/8-16 Hex Zinc	3
3	04-05-051	Bolt, 3/8-16 x 3/4 Hex Zinc	2
4	04-05-353	Bolt, Button Haed 3/8-16 x 3/4	1
5	14-03-022-0A	Washer, .687 x .375 x .025	4
6	14-05-013-0	WHEEL LOCK HOUSING	1

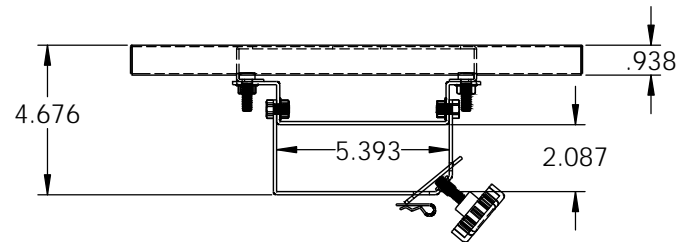
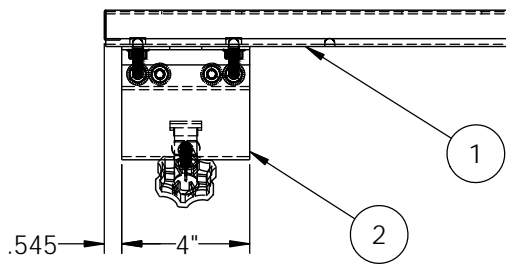
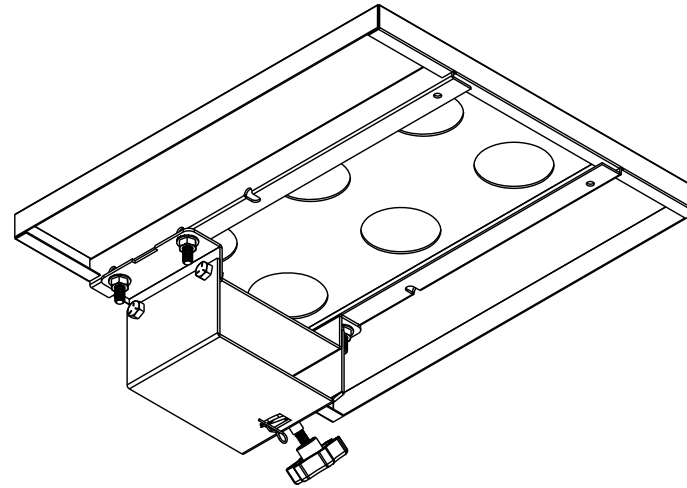
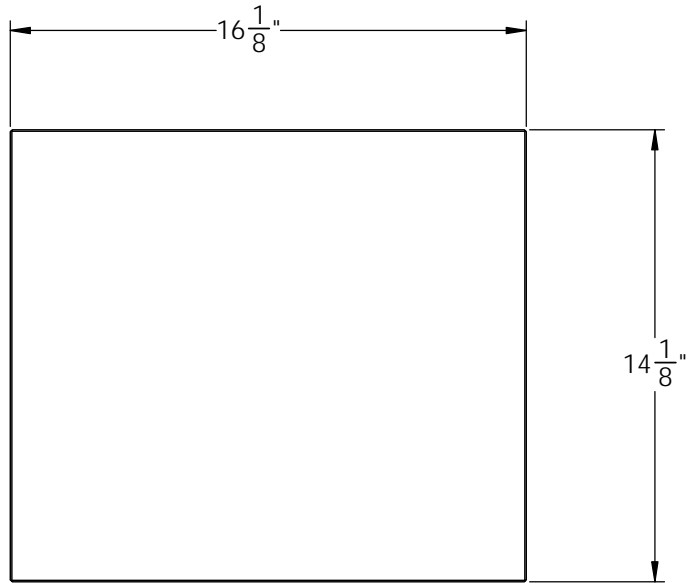
SCREEN PRINTING MACHINERY SINCE 1960 VASTEX.COM		TOLERANCE UNLESS OTHERWISE SPECIFIED		VASTEX INTERNATIONAL			
				TITLE: V100-WLH			
				DECIMAL	.XXX	.XX	.X
				FRACTION	+/- .010 +/- .015 +/- .032		
				ANGLE	+/- .062 +/- 1°		
DRAWN	BY	DATE		SIZE	DWG. NO.	REV	
CHECKED				C	V-100-A	A	
APPROVED				SCALE: 1:1		SHEET 7 OF 11	



ITEM NO.	Part Number	Description	QTY.
1	04-05-020	WASHER 5/16 TYPE "SAE" 11/32 ID	4
2	04-05-059	Bolt, 5/16-18 x 2"	2
3	04-05-080	Screw, #8x3/8 "A" Pt	2
4	04-05-100	Bolt, 5/16-18 x 3/4 HCS Zinc	4
5	04-05-249	WASHER, FLAT, M4	2
6	04-05-250A	Knob, Clamp bar, V1000	2
7	04-05-281	AXLE CAP, 3/8 SHAFT	2
8	04-05-284	Nut, 5/16-18 Serrated	4
9	04-05-352	Nut, Clip, 3/8-16	2
10	04-05-355	Bolt, 5/16-18 x 3/4 Carriage	2
11	04-07-014C	EXTENSION SPRING	2
12	04-11-237	Weldnut, Double 5/16-18 Zinc	2
13	05-10-011-0A	RETAINER, 3/8 THREADED KNOB	2
14	14-02-003-4A	HINGE PIN	1
15	14-05-016-1A	Extension Arm Assembly	1
16	14-05-019-0A	Screen Clamp	1
17	14-05-020-0	Screen Clamp Pod	2
18	14-05-022-0	Screen Clamp Mount	1
19	14-05-015-0A	HINGE BRACKET	1

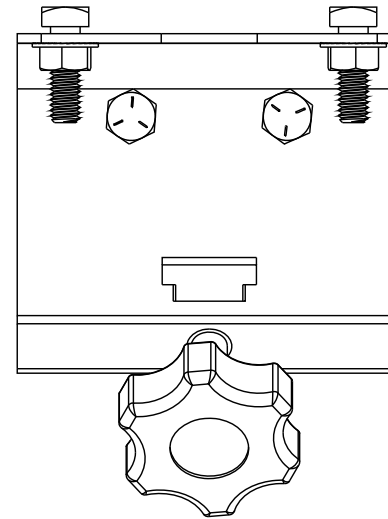
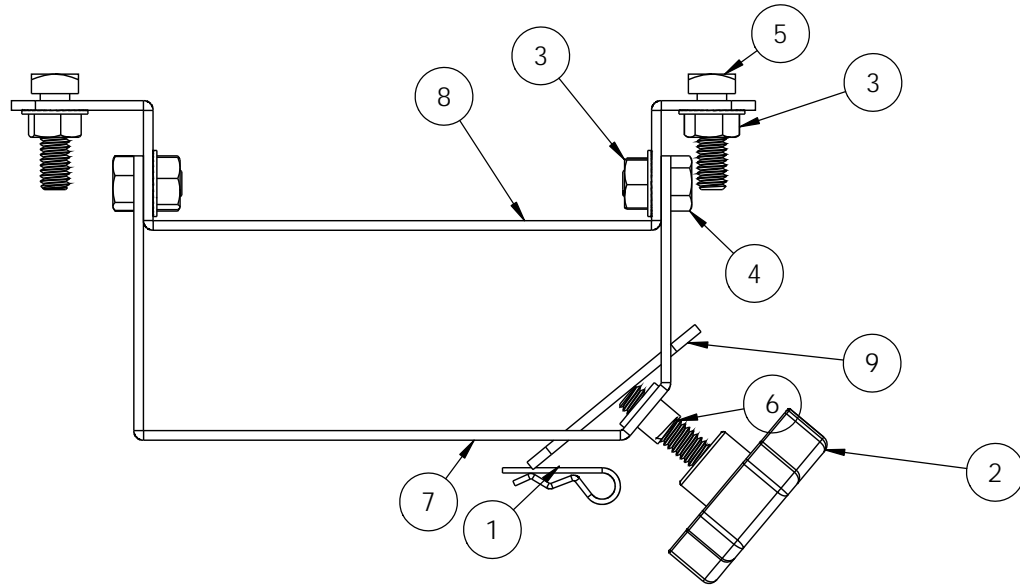
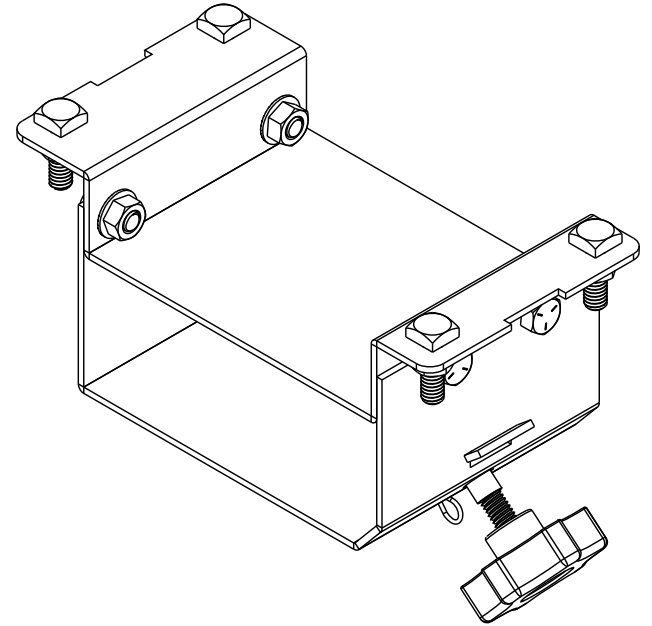
SCREEN PRINTING MACHINERY SINCE 1960		TOLERANCE UNLESS OTHERWISE SPECIFIED		VASTEX INTERNATIONAL		
VASTEX.COM				TITLE: V100-PH		
				REV A		
				SCALE: 1:4		
				SHEET 8 OF 11		

V-100-A



ITEM NO.	Part Number	Description	Qty
1	14-06-006-1	14"x16" PALLET WELDMENT	1
2	V100-PARM	Pallet Arm, V-100	1

SCREEN PRINTING MACHINERY SINCE 1960 VASTEX.COM		TOLERANCE UNLESS OTHERWISE SPECIFIED		VASTEX INTERNATIONAL	
		.XXX .XX .X		TITLE: V100P-1416	
		DECIMAL +/- .010 +/- .015 +/- .032		SIZE DWG. NO.	
DRAWN		FRACTION +/- .062		C V-100-A	
CHECKED		ANGLE +/- 1°		REV A	
APPROVED		125		SCALE: 1:4 SHEET 9 OF 11	



ITEM NO.	Part Number	Description	QTY.
1	04-05-152	Hair Pin 1/8 x 19/32	1
2	04-05-266	Knob, 5/16-18 x 1	1
3	04-05-284	Nut, 5/16-18 Serrated	8
4	04-05-350	Bolt, 5/16-18 x 1/2 Hex Zinc	4
5	04-05-356	5/16-18 x 1.0 Sq Hd Bolt	4
6	04-11-085	Weldnut, 5/16-18 T Slab Base	1
7	14-06-001-0B	Pallet Arm Bottom	1
8	14-06-002-0	Pallet Arm Top	1
9	14-06-003-0A	Corner Clamp,	1

SCREEN PRINTING MACHINERY SINCE 1960 VASTEX.COM		TOLERANCE UNLESS OTHERWISE SPECIFIED		VASTEX INTERNATIONAL		
				TITLE: V100-PARM		
				SIZE C	DWG. NO. V-100-A	REV A
				SCALE: 1:4 SHEET 10 OF 11		

complete parts list for V100-44

ITEM NO.	SW-File Name(File Name)	QTY.	Description
1	04-04-019	12	Bearing, Ball 3/8 ID
2	04-04-051	4	Bearing Cone, 1-1/2" LM29749
3	04-04-052	4	Bearing Cup, 1-12" LM29710
4	04-05-009	12	Nut, 3/8-16 Hex Zinc
5	04-05-020	16	WASHER 5/16 TYPE "SAE" 11/32 ID
6	04-05-022	1	Washer, 1/2" SAE
7	04-05-029	1	Washer, Splt Lock 1/2" Zinc
8	04-05-030	42	Rivet, 3/16 Zinc
9	04-05-051	8	Bolt, 3/8-16 x 3/4 Hex Zinc
10	04-05-059	8	Bolt, 5/16-18 x 2"
11	04-05-080	8	Screw, #8x3/8 "A" Pt
12	04-05-092	24	RIVET, 1/8, ZINC
13	04-05-100	20	Bolt, 5/16-18 x 3/4 HCS Zinc
14	04-05-152	6	Hair Pin 1/8 x 19/32
15	04-05-156	16	Bolt, 5/16-18 x 3.0 HTB Zinc
16	04-05-239	2	Bolt, 1/2-20 x 1.0 Hex Zinc
17	04-05-249	8	WASHER, FLAT, M4
18	04-05-250A	8	Knob, Clamp bar, V1000
19	04-05-281	8	AXLE CAP, 3/8 SHAFT
20	04-05-284	100	Nut, 5/16-18 Serrated
21	04-05-350	48	Bolt, 5/16-18 x 1/2 Hex Zinc
22	04-05-352	8	Nut, Clip, 3/8-16
23	04-05-353	4	Bolt, Button Haed 3/8-16 x 3/4
24	04-07-014C(display2)	6	Spring, 3/4 Dia x 4.150
25	04-11-085	4	Weldnut, 5/16-18 T Slab Base
26	04-11-237	8	Weldnut, Double 5/16-18 Zinc
27	05-04-014-0B	2	WASHER, 9/16" x 2-1/2" x .100"
28	05-10-011-0A	8	RETAINER, 3/8 THREADED KNOB
29	14-02-003-4A	4	HINGE PIN
30	14-02-010-0C	3	STOP BAR
31	14-05-003-0	1	SHAFT MOUNT
32	14-05-010-0	8	Rotor Hub Brace
33	14-05-011-3	4	BRACE, ROTOR ARM
34	14-05-013-0	4	WHEEL LOCK HOUSING
35	14-05-014-0	2	C-Hub Plate
36	14-05-020-0	8	Screen Clamp Pod

ITEM NO.	SW-File Name(File Name)	QTY.	Description
37	14-05-021-0	1	Center Shaft, V-100
38	14-05-022-0	4	Screen Clamp Mount
39	14-05-024-0	4	Spacer, Bearing Plate
40	14-06-002-0	4	Pallet Arm Top

SCREEN PRINTING MACHINERY SINCE 1960		TOLERANCE UNLESS OTHERWISE SPECIFIED		VASTEX INTERNATIONAL	
VASTEX.COM				TITLE: V100-44-BOM	
				SIZE C	
				DWG. NO. V-100-A	
				REV A	
				SCALE: 1:12	
				SHEET 11 OF 11	